

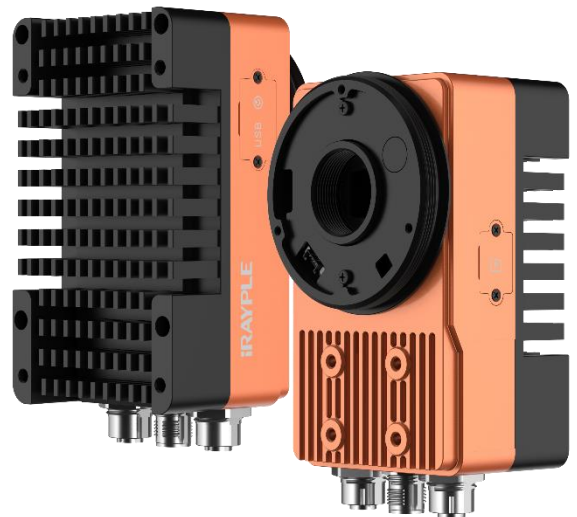
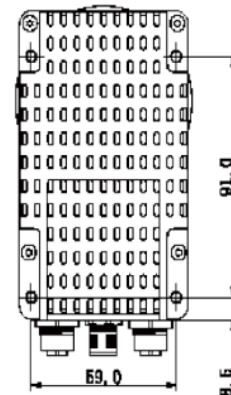
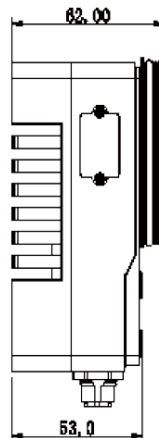
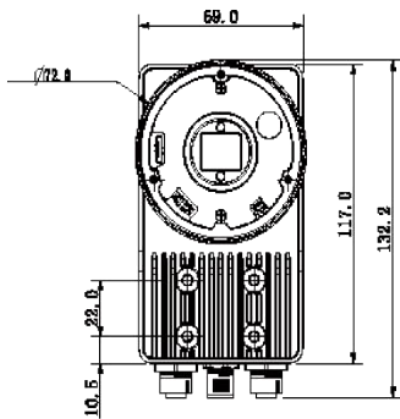
X86 Smart Camera

SI5201MG000E

Product Features

- Support Win10 OS, support secondary development based on iRAYPLE SDK;
- Support VGA/USB interface and extended keyboard/mouse connection;
- 4G RAM & 64G SSD;
- Support software trigger/hardware trigger/free run mode;
- Gigabit Ethernet interface, providing 1Gbps bandwidth;
- Abundant IO interfaces, RS232/485, 3 Opto-isolated inputs, 3 Opto-isolated outputs;
- Industrial-grade M12 connector, IP67 protection level;
- Support DC 24V power supply;

Dimensions (mm)



Technical Specifications

Model Name	SI5201MG000E
Resolution	1920 x 1200
Frame Rate	150
Sensor Type	2/3", CMOS
Shutter	Global
Pixel	4.8 x 4.8
Mono/Color	Mono
Lens Mount	C-mount
Sync Mode	Software Trigger/Hardware Trigger/Free Run Mode
Software	Support MVP algorithm platform / Support customer-designed software
Certification	CE, FCC, KC
Function	Abundant code reading (1D code Code128/Code39/Code93/EAN, etc.; 2D code QR/DM/Vericode, etc.)
Connector	3 industrial level M12 connectors, Ethernet, GPIO interface and VGA
Network Port	Gigabit Ethernet
GPIO	3 Opto-isolated inputs and 3 Opto-isolated outputs
Communication Mode	RS232, Ethernet
Communication Protocol	SDK, Serial, TCP/Server, TCP/Client, Profinet, Modbus TCP
LED Indicator	Power, Network, Trigger
Power Supply	DC24V
Power Consumption	≤30W
Product Dimensions	132.2mm*69mm*62mm
Package Dimensions	190mm*179mm*127mm
Product Weight	< 600g
Package Weight	< 800g
Protection Level	IP67
Shell Material	Aluminum alloy
Operating Temperature	-20°C ~ +50°C
Operating Humidity	20% ~ 95%, no condensing (lens cover is properly installed)
Storage Temperature	-30°C ~ +80°C

© 2021 IRAYPLE. All rights reserved. Design and specifications are subject to change without notice.
Pictures in the document are for reference only, and the actual product shall prevail.